

電氣特性 / PERFORMANCE DATA

全閉外扇型, F 級絕緣, 連續額定, 服務係數 S.F.1.15, 周溫 40°C, 220V/380V, 60Hz
Totally Enclosed Fan Cooled, Squirrel Cage 3-phase 60Hz, Meet CNS 14400-2012 IE2 Efficiency

| 輸出 OUTPUT | 馬力 HP | 仟瓦 kW | 極數 P | 框號 FRAME NO. | 滿載轉速 FULL LOAD RPM | 電流 CURRENT (A) | | | 轉矩 TORQUE | | | 效率 EFFICIENCY (%) | | | 功率因數 POWER FACTOR (%) | | |
|--------------|----------|----------|---------|--------------------|-----------------------------|----------------------|----------------------|-----------------------|---------------------|--------------------------|------------------------|----------------------|-------------------|-------------------|--------------------------|-------------------|-------------------|
| | | | | | | 滿載 F.L.A. 380V | 滿載 F.L.A. 220V | 起動 L.R.C. DOWN% | 滿載 F/L (kg-m) | 起動 LOCKED ROTOR(%) | 最大 BREAK DOWN(%) | 滿載 100% LOAD | 負載 75% LOAD | 負載 50% LOAD | 滿載 100% LOAD | 負載 75% LOAD | 負載 50% LOAD |
| 1 | 0.75 | 2 | 80M | 3470 | 1.8 | 3.1 | 29.6 | 0.21 | 390 | 420 | 82.0 | 81.3 | 78.2 | 78.5 | 70.0 | 57.0 | |
| 1 | 0.75 | 4 | 80M | 1720 | 1.9 | 3.4 | 26.8 | 0.42 | 420 | 460 | 82.5 | 81.2 | 77.2 | 71.0 | 62.0 | 48.5 | |
| 1 | 0.75 | 6 | 90L | 1150 | 2.2 | 3.8 | 24.7 | 0.64 | 260 | 290 | 81.5 | 81.7 | 79.3 | 63.5 | 54.5 | 41.5 | |
| 2 | 1.5 | 2 | 90L | 3480 | 3.0 | 5.2 | 46.7 | 0.42 | 370 | 310 | 84.5 | 85.2 | 84.0 | 89.5 | 85.5 | 77.0 | |
| 2 | 1.5 | 4 | 90L | 1720 | 3.4 | 5.9 | 42.3 | 0.85 | 290 | 320 | 85.5 | 86.0 | 84.8 | 77.5 | 70.0 | 58.0 | |
| 2 | 1.5 | 6 | 100L | 1150 | 3.6 | 6.2 | 40.2 | 1.27 | 280 | 300 | 86.5 | 88.1 | 86.4 | 73.5 | 66.0 | 53.0 | |
| 3 | 2.2 | 2 | 90L | 3460 | 4.5 | 7.7 | 70.1 | 0.62 | 300 | 250 | 85.5 | 86.2 | 85.5 | 87.5 | 83.0 | 73.0 | |
| 3 | 2.2 | 4 | 100L | 1735 | 4.3 | 7.4 | 62.7 | 1.24 | 360 | 370 | 87.5 | 88.4 | 87.4 | 89.0 | 85.5 | 77.5 | |
| 3 | 2.2 | 6 | 112M | 1160 | 5.6 | 9.6 | 67.0 | 1.85 | 270 | 360 | 87.5 | 87.7 | 86.3 | 68.5 | 60.5 | 48.0 | |
| 5 | 3.7 | 2 | 112M | 3495 | 7.2 | 12 | 115 | 1.03 | 250 | 340 | 88.0 | 88.2 | 87.2 | 88.5 | 85.5 | 78.0 | |
| 5 | 3.7 | 4 | 112M | 1740 | 7.8 | 13 | 112 | 2.07 | 290 | 310 | 88.5 | 89.6 | 88.4 | 81.5 | 76.5 | 65.5 | |
| 5 | 3.7 | 6 | 132S | 1160 | 8.3 | 14 | 95.1 | 3.11 | 200 | 300 | 88.5 | 88.7 | 87.4 | 76.5 | 70.5 | 59.0 | |
| 7.5 | 5.5 | 2 | 132S | 3500 | 11 | 19 | 128 | 1.53 | 240 | 270 | 88.5 | 89.1 | 88.4 | 88.0 | 86.5 | 82.0 | |
| 7.5 | 5.5 | 4 | 132S | 1755 | 12 | 20 | 131 | 3.05 | 230 | 260 | 89.5 | 89.3 | 87.7 | 80.0 | 75.0 | 65.5 | |
| 7.5 | 5.5 | 6 | 132M | 1155 | 12 | 20 | 144 | 4.64 | 230 | 290 | 90.5 | 91.0 | 90.4 | 78.0 | 71.5 | 60.0 | |
| 10 | 7.5 | 2 | 132S | 3500 | 14 | 25 | 163 | 2.09 | 230 | 240 | 89.5 | 90.4 | 89.4 | 88.5 | 87.0 | 83.0 | |
| 10 | 7.5 | 4 | 132M | 1755 | 15 | 26 | 170 | 4.16 | 210 | 240 | 90.7 | 90.7 | 89.7 | 83.0 | 77.5 | 67.0 | |
| 10 | 7.5 | 6 | 160M | 1160 | 16 | 27 | 178 | 6.30 | 220 | 230 | 90.5 | 91.2 | 90.4 | 79.5 | 75.5 | 66.0 | |
| 15 | 11 | 2 | 160M | 3530 | 20 | 35 | 262 | 3.04 | 220 | 310 | 90.7 | 90.9 | 89.8 | 91.0 | 90.0 | 86.0 | |
| 15 | 11 | 4 | 160M | 1755 | 21 | 37 | 240 | 6.10 | 180 | 200 | 91.7 | 91.9 | 91.0 | 86.0 | 82.0 | 73.0 | |
| 15 | 11 | 6 | 160L | 1160 | 23 | 40 | 261 | 9.24 | 230 | 270 | 91.0 | 91.7 | 90.9 | 79.0 | 74.0 | 64.0 | |
| 20 | 15 | 2 | 160M | 3530 | 28 | 48 | 341 | 4.14 | 210 | 300 | 90.7 | 91.2 | 90.6 | 90.5 | 89.5 | 85.5 | |
| 20 | 15 | 4 | 160L | 1755 | 29 | 50 | 325 | 8.32 | 210 | 240 | 92.7 | 93.2 | 92.6 | 85.0 | 81.0 | 72.0 | |
| 20 | 15 | 6 | 180M | 1170 | 31 | 54 | 349 | 12.5 | 210 | 250 | 91.0 | 92.0 | 90.9 | 80.5 | 75.5 | 64.5 | |
| 25 | 18.5 | 2 | 160L | 3535 | 34 | 59 | 532 | 5.10 | 290 | 320 | 91.5 | 91.5 | 90.7 | 89.5 | 87.0 | 80.5 | |
| 25 | 18.5 | 4 | 180M | 1765 | 36 | 62 | 404 | 10.2 | 190 | 220 | 93.0 | 93.3 | 92.8 | 84.0 | 80.5 | 71.5 | |
| 25 | 18.5 | 6 | 180L | 1175 | 38 | 65 | 488 | 15.3 | 210 | 260 | 91.7 | 92.1 | 91.6 | 81.0 | 76.0 | 65.0 | |
| 30 | 22 | 2 | 180M | 3540 | 41 | 71 | 461 | 6.05 | 210 | 260 | 91.5 | 91.6 | 90.8 | 89.0 | 88.0 | 84.5 | |
| 30 | 22 | 4 | 180M | 1765 | 43 | 74 | 483 | 12.1 | 200 | 210 | 93.0 | 93.6 | 92.9 | 83.5 | 81.5 | 74.5 | |
| 30 | 22 | 6 | 180L | 1175 | 44 | 77 | 520 | 18.2 | 210 | 280 | 92.0 | 92.6 | 91.9 | 82.0 | 77.0 | 66.5 | |
| 40 | 30 | 2 | 180L | 3540 | 56 | 96 | 625 | 8.25 | 200 | 280 | 92.0 | 92.5 | 91.9 | 89.0 | 89.0 | 85.5 | |
| 40 | 30 | 4 | 180L | 1765 | 60 | 104 | 675 | 16.6 | 200 | 230 | 93.0 | 93.5 | 92.9 | 81.5 | 78.5 | 70.0 | |
| 40 | 30 | 6 | 200L | 1180 | 60 | 104 | 675 | 24.8 | 230 | 250 | 93.0 | 93.5 | 92.9 | 81.5 | 78.0 | 69.0 | |
| 50 | 37 | 2 | 200L | 3545 | 68 | 118 | 831 | 10.2 | 180 | 310 | 92.7 | 92.9 | 92.3 | 89.0 | 87.0 | 82.0 | |
| 50 | 37 | 4 | 200L | 1765 | 70 | 121 | 799 | 20.4 | 260 | 270 | 93.3 | 93.7 | 93.3 | 86.0 | 84.5 | 79.0 | |
| 50 | 37 | 6 | 200L | 1180 | 74 | 128 | 861 | 30.5 | 270 | 280 | 93.0 | 93.4 | 92.9 | 81.5 | 77.0 | 67.0 | |
| 60 | 45 | 2 | 200L | 3545 | 83 | 143 | 958 | 12.4 | 170 | 280 | 93.0 | 93.4 | 92.9 | 88.5 | 87.5 | 84.5 | |
| 60 | 45 | 4 | 200L | 1770 | 87 | 150 | 979 | 24.8 | 180 | 250 | 94.0 | 94.4 | 93.9 | 84.0 | 81.0 | 73.5 | |
| 60 | 45 | 6 | 225S | 1180 | 87 | 151 | 1020 | 37.1 | 240 | 250 | 93.6 | 94.2 | 93.5 | 83.5 | 80.0 | 71.5 | |
| 75 | 55 | 2 | 225S | 3550 | 100 | 172 | 1537 | 15.1 | 210 | 320 | 93.0 | 93.1 | 92.4 | 90.0 | 88.5 | 83.0 | |
| 75 | 55 | 4 | 225S | 1770 | 103 | 178 | 1254 | 30.3 | 170 | 270 | 94.1 | 94.7 | 94.0 | 86.0 | 82.0 | 73.5 | |
| 75 | 55 | 6 | 250S | 1185 | 107 | 184 | 1330 | 45.2 | 270 | 270 | 93.8 | 94.2 | 93.8 | 83.5 | 79.0 | 69.5 | |
| 100 | 75 | 2 | 250S | 3570 | 135 | 232 | 1596 | 20.5 | 150 | 230 | 93.6 | 93.9 | 93.3 | 90.5 | 89.5 | 85.5 | |
| 100 | 75 | 4 | 250S | 1775 | 136 | 235 | 1530 | 41.2 | 190 | 220 | 94.5 | 94.8 | 94.4 | 88.5 | 87.5 | 83.5 | |
| 100 | 75 | 6 | 250M | 1185 | 143 | 248 | 1609 | 61.6 | 230 | 210 | 94.1 | 95.0 | 94.0 | 84.5 | 82.0 | 74.5 | |
| 125 | 90 | 2 | 250M | 3575 | 163 | 281 | 2032 | 24.5 | 170 | 220 | 94.5 | 94.7 | 94.2 | 89.0 | 87.0 | 81.5 | |
| 125 | 90 | 4 | 250M | 1775 | 163 | 281 | 2004 | 49.4 | 310 | 340 | 94.5 | 95.1 | 94.4 | 89.0 | 87.5 | 82.5 | |
| 125 | 90 | 6 | 280S | 1185 | 184 | 318 | 2065 | 74.0 | 180 | 220 | 94.1 | 94.6 | 94.0 | 79.0 | 74.0 | 63.0 | |
| 150 | 110 | 2 | 280S | 3575 | 203 | 350 | 2414 | 30.0 | 170 | 280 | 94.7 | 94.4 | 93.2 | 87.0 | 84.5 | 77.5 | |
| 150 | 110 | 4 | 280S | 1780 | 203 | 351 | 2470 | 60.2 | 240 | 250 | 95.0 | 95.0 | 94.3 | 86.5 | 84.0 | 77.0 | |
| 150 | 110 | 6 | 280M | 1185 | 213 | 368 | 2394 | 90.4 | 180 | 230 | 95.0 | 95.3 | 94.9 | 82.5 | 79.0 | 69.5 | |
| 175 | 132 | 2 | 280M | 3575 | 236 | 407 | 3178 | 36.0 | 220 | 290 | 95.0 | 94.9 | 94.1 | 89.5 | 87.5 | 82.0 | |
| 175 | 132 | 4 | 280M | 1780 | 241 | 417 | 2990 | 72.2 | 230 | 240 | 95.0 | 95.0 | 94.3 | 87.5 | 86.5 | 81.5 | |
| 175 | 132 | 6 | 315S | 1185 | 254 | 439 | 2856 | 108 | 190 | 220 | 95.0 | 95.3 | 94.9 | 83.0 | 80.5 | 73.0 | |
| 200 | 150 | 2 | 315S | 3575 | 262 | -- | *2459 | 40.9 | 260 | 310 | 95.2 | 95.4 | 95.0 | 91.5 | 90.5 | 87.0 | |
| 200 | 150 | 4 | 315S | 1780 | 270 | -- | *1972 | 82.1 | 220 | 230 | 95.0 | 95.1 | 94.4 | 89.0 | 88.5 | 85.5 | |
| 200 | 150 | 6 | 315M | 1185 | 286 | -- | *1856 | 123 | 210 | 210 | 95.0 | 95.4 | 94.9 | 84.0 | 82.5 | 76.5 | |
| 250 | 185 | 2 | 315M | 3575 | 326 | -- | *2877 | 50.4 | 150 | 360 | 95.4 | 95.5 | 94.9 | 90.5 | 89.0 | 84.0 | |
| 250 | 185 | 4 | 315M | 1780 | 332 | -- | *3022 | 101 | 200 | 280 | 95.8 | 96.0 | 95.7 | 88.5 | 86.0 | 80.5 | |
| 250 | 185 | 6 | 315LS | 1185 | 359 | -- | *2526 | 152 | 190 | 250 | 95.5 | 95.7 | 95.3 | 82.0 | 79.5 | 72.5 | |
| 270 | 200 | 2 | 315LS | 3575 | 356 | -- | *3016 | 54.5 | 160 | 260 | 95.4 | 95.8 | 95.3 | 89.5 | 89.0 | 86.5 | |
| 270 | 200 | 4 | 315LS | 1780 | 363 | -- | *3008 | 109 | 170 | 260 | 95.8 | 95.9 | 95.7 | 87.5 | 86.0 | 81.0 | |
| 270 | 200 | 6 | 315LL | 1185 | 386 | -- | *2616 | 164 | 220 | 270 | 95.5 | 95.6 | 95.3 | 82.5 | 78.5 | 69.5 | |

Note: 1. 試驗方法依據 IEEE 112 測試法 B 種, CNS 10919。
2. 上述特性為測試值參考用。
3. 最低效率值符合 CNS 14400-2012 IE2 要求。
4. 200HP(含)以上僅接受 380V 以上電壓。
5. 立式框號請參考立式馬達尺寸表。
6. 上述數值若有變更,恕不另行通知。
★ 此為 380V 之啟動電流。

1. Test method based on IEEE 112 method B, CNS 10919.
2. All data shown above are tested values for reference only.
3. Min. efficiency in accordance with CNS 14400-2012 IE2.
4. Only 380 volts and above available for 200HP and above.
5. For vertical motor frame size, please see the dimension table.
6. All data shown above subject to change without prior notice.
★ This value is for 380V.

大同優級效率 IE2 系列馬達 F 級絕緣系統

- 具國際互換性 – 採用 IEC (International Electrotechnical Commission) 制定之國際標準尺寸, 具國際互換性。
- F 級絕緣材料 – 採用耐熱、耐濕、耐化學之 F 級絕緣材料, 安全耐用壽命最長。
- 特性優異 – 由於轉部慣性小, 加速轉矩大, 起動、停止時間短, 對於起動、停止頻繁之機器可提高其工作效率。
- 振動、噪音小 – 機械結構設計完美, 加工與組立精良, 且經精密之平衡, 幾無振動與噪音。
- 保養方便 – Fr.225(含)以下, 採用高級密封軸承, 不須添換潤滑油脂, 保養方便。
- 小型輕量 – 節省空間, 搬運安裝容易, 便於設計施工。

裝置方式 Mounting Arrangements

Horizontal Shaft

B3 IM 1001
Foot mounted.
臥式腳安裝

B5 IM 3001
'D' type flange at D.E. No feet.
臥式 D 型法蘭安裝, 無腳

B6 IM 1051
Foot wall mounted with feet on left-hand side when viewed from D.E.
臥式腳貼牆安裝 (從軸端看腳在左)

B7 IM 1061
Foot wall mounted with feet on right-hand side when viewed from D.E.
臥式腳貼牆安裝 (從軸端看腳在右)

B8 IM 1071
Ceiling mounted. with feet above motor.
臥式腳貼天花板安裝

B14 IM 3601
'C' type flange at D.E. No feet.
臥式 C 型法蘭安裝, 無腳

B17 IM 2302
or IM 2202 2'C' or 'D' type flanges. Foot mounted.
臥式雙 C/D 型法蘭安裝 (或 IM2202C / IM2202D)

Vertical Shaft

V1 IM 3011
'D' type shaft down, no feet.
立式軸向下, D 型法蘭安裝

V3 IM 3031
'D' type shaft up, no feet.
立式軸向上, D 型法蘭安裝

V5 IM 1011
Vertical foot. Wall mounted. Shaft down.
立式軸向下, 腳貼牆安裝

V6 IM 1031
Vertical foot. Wall mounted. Shaft up.
立式軸向上, 腳貼牆安裝

V18 IM 3611
'C' type shaft down, no feet.
立式軸向下, C 型法蘭安裝

V19 IM 3631
'C' type shaft up, no feet.
立式軸向上, C 型法蘭安裝

V22 IM 8311
Skirt mounting. Shaft down, no feet.
立式軸向下, 附中托架



馬達事業部 Motor Business Unit

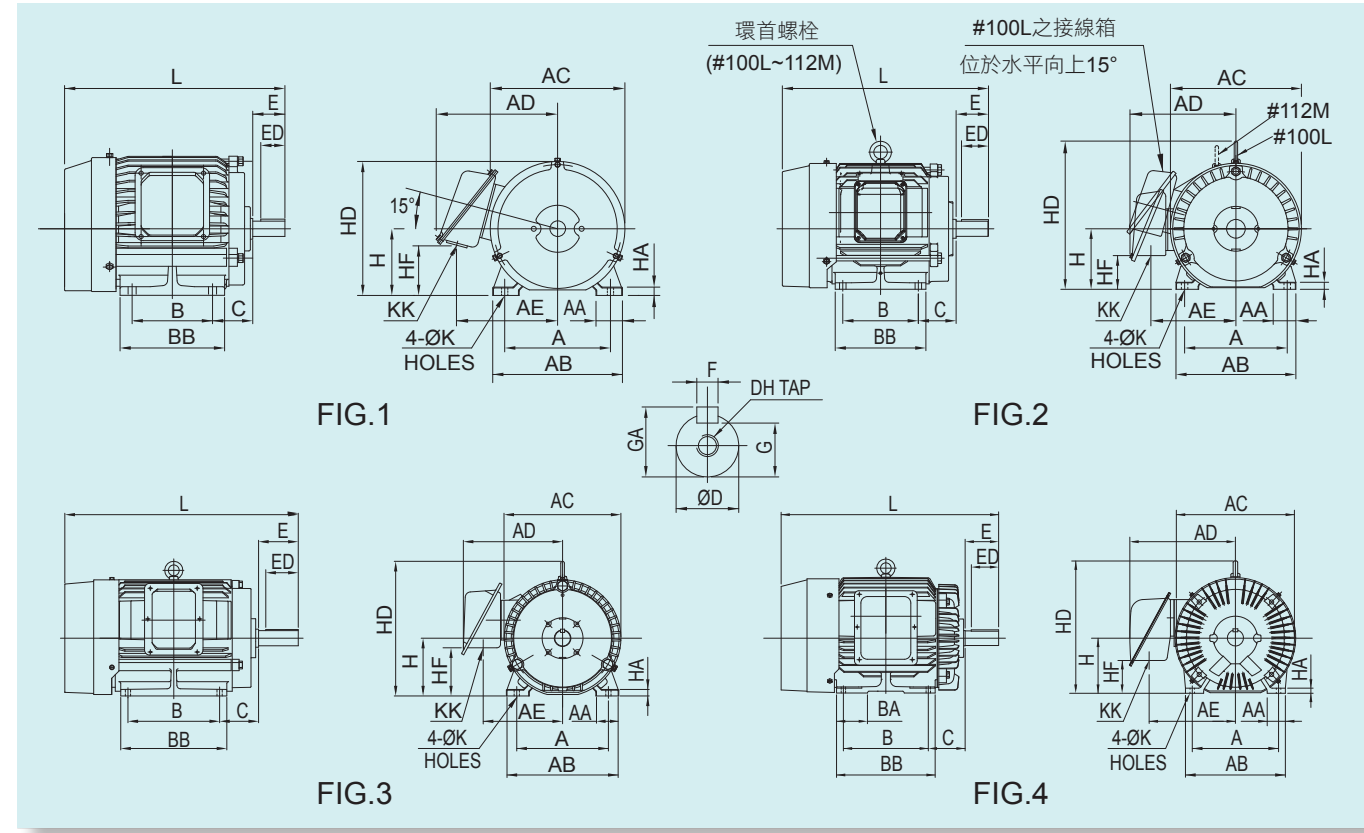
新北市三峽區溪東路 352 號 TEL : (02) 8676-6888 (代表號)
352 Shi-tong Rd., Sanhsia, New Taipei City 23743, Taiwan, R.O.C.
Website: www.tatung.com

業務接洽、技術服務, 敬請光臨

- 台北營業區
台北業務中心: 台北市中山北路 3 段 22 號
電話: 02-25925252 #3333, 2930, 2940 02-25984424
傳真: 02-25936062
- 新北市業務中心: 新北市三峽區溪東路 352 號
電話: 02-86761101~4
傳真: 02-86761841
- 羅東重電站: 宜蘭縣冬山鄉梅林路 145 號
電話: 03-9589481, 9580907
傳真: 03-9589471
- 中壢重電站: 桃園縣平鎮市中豐路 1 段 18 號
電話: 03-4584027~29
傳真: 03-4576734

- 台中重電站: 台中市臺灣大道 4 段 1916 號
電話: 04-23591262, 35005266
傳真: 04-23593764
- 嘉義重電站: 嘉義市育人路 546 號
電話: 05-2856431
傳真: 05-2859244
- 台南重電站: 台南市永康區中正南路 502 號
電話: 06-2532291, 2531856
傳真: 06-2538196
- 高雄重電站: 高雄市忠孝一路 499 號
電話: 07-2363121, 2363122
傳真: 07-2362674

IE2 系列外形尺寸圖
臥式全密閉外扇型 HORIZONTAL TOTALLY-ENCLOSED FAN-COOLED

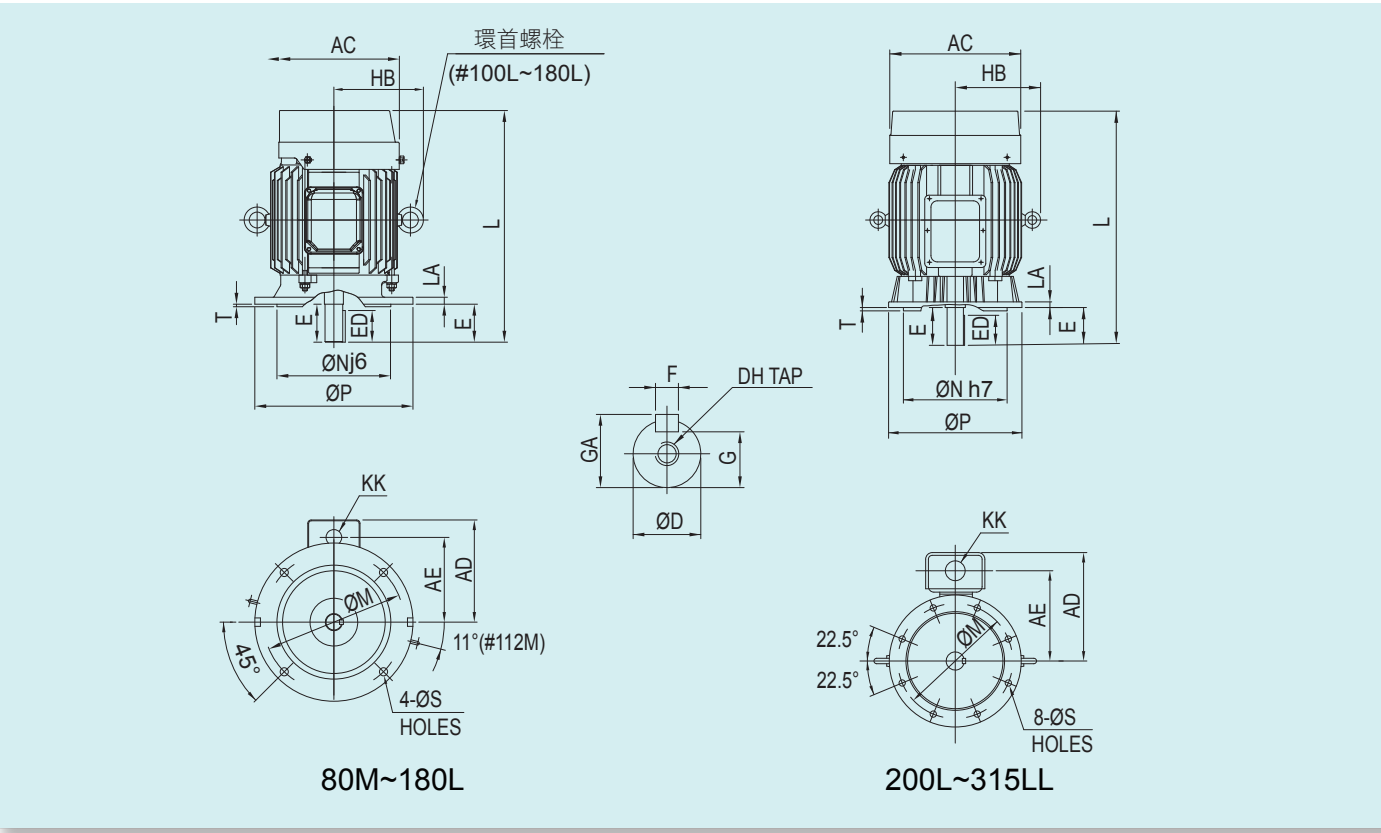
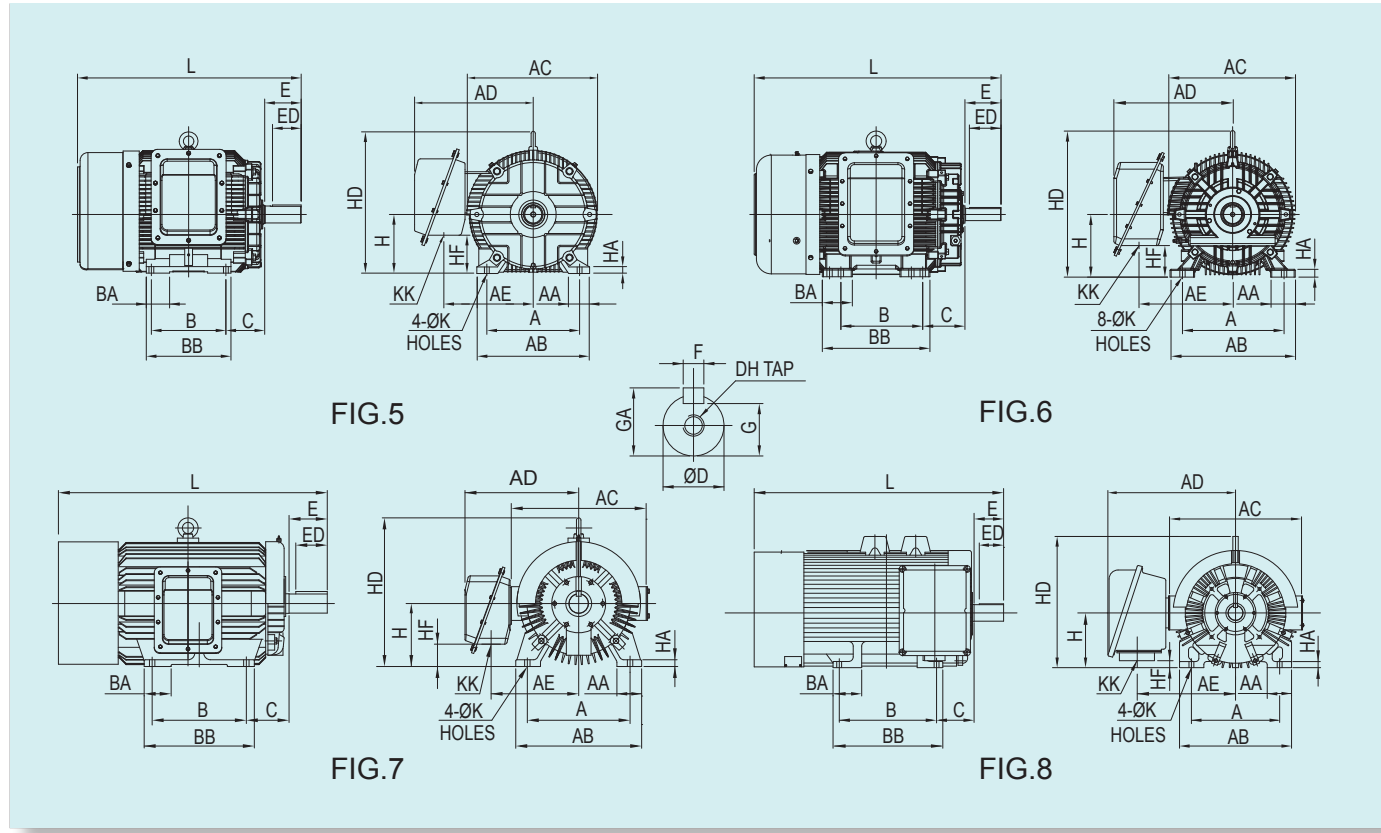


尺寸 DIMENSION (mm)

| 框號 FRAME NO. | 輸出 OUTPUT (kW) | | | 圖 FIG. | 安裝尺寸 MOUNTING SIZE | | | | | | | | | | |
|-----------------|----------------|---------|------|-----------|--------------------|-----|-----|------|-----|-----|-----|-----|-----|------|-----|
| | 2P | 4P | 6P | | A | B | C | K | AA | AB | AC | AD | AE | BA | BB |
| 80M | 0.75 | 0.75 | — | 1 | 125 | 100 | 50 | 10 | 35 | 155 | 180 | 146 | 118 | — | 130 |
| 90L | 1.5,2.2 | 1.5 | 0.75 | 2 | 140 | 125 | 56 | 10 | 40 | 176 | 207 | 164 | 134 | — | 149 |
| 100L | — | 2.2 | 1.5 | | 160 | 140 | 63 | 12 | 40 | 196 | 223 | 183 | 155 | — | 176 |
| 112M | 3.7 | 3.7 | 2.2 | 3 | 190 | 140 | 70 | 12 | 40 | 220 | 243 | 183 | 155 | — | 168 |
| 132S | 5.5,7.5 | 5.5 | 3.7 | | 216 | 140 | 89 | 12 | 50 | 260 | 285 | 225 | 179 | — | 175 |
| 132M | — | 7.5 | 5.5 | 3 | 216 | 178 | 89 | 12 | 50 | 260 | 285 | 225 | 179 | — | 213 |
| 160M | 11,15 | 11 | 7.5 | | 254 | 210 | 108 | 14.5 | 60 | 308 | 324 | 275 | 230 | — | 250 |
| 160L | 18.5 | 15 | 11 | 4 | 254 | 254 | 108 | 14.5 | 60 | 308 | 324 | 275 | 230 | — | 294 |
| 180M | 22 | 18.5,22 | 15 | | 279 | 241 | 121 | 14.5 | 60 | 324 | 398 | 340 | 275 | 82.5 | 286 |
| 180L | 30 | — | — | 4 | 279 | 279 | 121 | 14.5 | 60 | 324 | 398 | 340 | 275 | 82.5 | 324 |
| 200L | 37,45 | — | — | | 318 | 305 | 133 | 18.5 | 80 | 378 | 442 | 353 | 305 | 80 | 360 |
| 225S | 55 | — | — | 5 | 356 | 286 | 149 | 18.5 | 80 | 430 | 490 | 432 | 345 | 89.5 | 325 |
| 250S | 75 | — | — | 6 | 406 | 311 | 168 | 24 | 90 | 490 | 500 | 512 | 394 | 111 | 412 |
| 250M | 90 | — | — | | 406 | 349 | 168 | 24 | 90 | 490 | 500 | 512 | 394 | 111 | 412 |
| 280S | 110 | — | — | 6 | 457 | 368 | 190 | 24 | 110 | 560 | 560 | 540 | 424 | 135 | 484 |
| 280M | 132 | — | — | | 457 | 419 | 190 | 24 | 110 | 560 | 560 | 540 | 424 | 135 | 484 |
| 315S | 150 | — | — | 7 | 508 | 406 | 216 | 28 | 140 | 630 | 680 | 580 | 455 | 120 | 480 |
| 315M | 185 | — | — | | 508 | 457 | 216 | 28 | 140 | 630 | 680 | 580 | 455 | 120 | 530 |
| 315LS | 200 | — | — | 7 | 508 | 560 | 216 | 28 | 140 | 630 | 760 | 735 | 566 | 165 | 632 |
| 315LL | — | — | 200 | | 508 | 710 | 216 | 28 | 140 | 630 | 760 | 735 | 566 | 176 | 782 |

註： 1. 中心高 "H" 尺寸的公差：80M ~ 250M +0, -0.5；280S ~ 315LL +0, -1。
 2. 軸徑 "D" 尺寸的公差：框號 80M ~ 112M 為 j6；框號 132S ~ 180M 為 k6；框號 180L ~ 315LL 為 m6。
 3. 2 極馬達限用直結式連結，皮帶式連結請告知皮帶輪尺寸等細節（框號 225S 以上）。
 ※ 內容若有變更，恕不另行通知。

IE2 系列外形尺寸圖
立式全密閉外扇型 VERTICAL TOTALLY-ENCLOSED FAN-COOLED



尺寸 DIMENSION (mm)

| 框號 FRAME NO. | 輸出 OUTPUT (kW) | | | 軸端 SHAFT END | | | | | | | | | | | | | | | | | | |
|-----------------|----------------|----------|------|--------------|-----|-----|-----|------|--------|----|-----|-----|-----|------|-----|-----|-----|-----|-----|------|------|---------|
| | 2P | 4P | 6P | AC | AD | AE | HB | KK | L | LA | M | N | P | S | T | D | E | ED | F | G | GA | DH |
| 80M | 0.75 | 0.75 | — | 180 | 146 | 118 | — | Ø22 | 296 | 12 | 165 | 130 | 200 | 12 | 3.5 | 19 | 40 | 30 | 6 | 15.5 | 21.5 | M6×12L |
| 90L | 1.5, 2.2 | 1.5 | 0.75 | 207 | 164 | 127 | — | Ø22 | 327 | 10 | 215 | 180 | 250 | 14.5 | 4 | 24 | 50 | 40 | 8 | 20 | 27 | M8×20L |
| 100L | — | 2.2 | 1.5 | 223 | 183 | 155 | 146 | Ø28 | 378 | 15 | 215 | 180 | 250 | 14.5 | 4 | 28 | 60 | 50 | 8 | 24 | 31 | M10×25L |
| 112M | 3.7 | 3.7 | 2.2 | 243 | 183 | 155 | 152 | Ø28 | 382 | 11 | 215 | 180 | 250 | | | 28 | 60 | 50 | 8 | 24 | 31 | 31 |
| 132S | 5.5, 7.5 | 5.5 | 3.7 | 286 | 225 | 179 | 184 | Ø35 | 450 | 12 | 265 | 230 | 300 | 18.5 | 5 | 38 | 80 | 65 | 10 | 33 | 41 | M12×25L |
| 132M | — | 7.5 | 5.5 | 488 | — | — | — | Ø35 | 488 | — | — | — | — | | | 38 | 80 | 65 | 10 | 33 | 41 | 41 |
| 160M | 11, 15 | 11 | 7.5 | 327 | 275 | 230 | 213 | Ø52 | 603 | 19 | 300 | 250 | 350 | 18.5 | 5 | 42 | — | — | 12 | 37 | 45 | M16×36L |
| 160L | 18.5 | 15 | 11 | 647 | — | — | — | Ø52 | 647 | — | — | — | — | | | 48 | 110 | 90 | — | 14 | 42.5 | 51.5 |
| 180M | 22 | 18.5, 22 | 15 | 390 | 345 | 285 | 260 | Ø63 | 676.5 | 15 | 350 | 300 | 400 | 18.5 | 5 | 48 | — | — | — | — | — | — |
| 180L | 30 | — | — | 714.5 | — | — | — | Ø63 | 714.5 | — | — | — | — | | | 55 | — | — | — | — | — | — |
| 200L | 37, 45 | — | — | 442 | 365 | 301 | 288 | Ø63 | 772.5 | 19 | 400 | 350 | 450 | 18.5 | 5 | 55 | 110 | 90 | 16 | 49 | 59 | M20×42L |
| 225S | 55 | — | 45 | 487 | 457 | 345 | 312 | Ø91 | 802.5 | — | — | — | — | | | 55 | — | — | — | — | — | — |
| 250S | 75 | — | 55 | 490 | 457 | 345 | 312 | Ø91 | 828.5 | — | — | — | — | 22 | 5 | 60 | 140 | 110 | 18 | 53 | 64 | M20×42L |
| 250M | 90 | — | 75 | 490 | 512 | 394 | 321 | Ø91 | 858.5 | — | — | — | — | | | 65 | 140 | 110 | 18 | 58 | 69 | — |
| 280S | 110 | — | 90 | 490 | 512 | 394 | 321 | Ø118 | 912 | — | — | — | — | 25 | 5 | 75 | 140 | 110 | 20 | 67.5 | 79.5 | — |
| 280M | 132 | — | 110 | 539 | 536 | 425 | 350 | Ø118 | 942 | — | — | — | — | | | 75 | 140 | 110 | 20 | 67.5 | 79.5 | — |
| 315M | 150, 185 | — | — | 539 | 536 | 425 | 350 | Ø118 | 1059.5 | — | — | — | — | 24 | 5 | 85 | 170 | 140 | 22 | 76 | 90 | — |
| 315LS | 200 | — | 185 | 620 | 580 | 456 | 380 | Ø118 | 1219.5 | — | — | — | — | | | 55 | 110 | 90 | 16 | 49 | 59 | — |
| 315LL | — | — | 200 | 720 | 725 | 570 | 400 | PF4" | 1255 | — | — | — | — | 24 | 5 | 95 | 170 | 140 | 25 | 86 | 100 | — |
| 315LS | — | — | 200 | 720 | 725 | 570 | 400 | PF4" | 1315 | — | — | — | — | | | 55 | 110 | 90 | 16 | 49 | 59 | — |
| 315LL | — | — | 200 | 720 | 725 | 570 | 400 | PF4" | 1563 | — | — | — | — | 95 | 170 | 140 | 25 | 86 | 100 | — | — | |

註： 內容若有變更，恕不另行通知。
 Note: All data subject to change without prior notice.

Note: 1. Tolerance of dimension "H": 80M ~ 250M +0, -0.5; 280S ~ 315LL +0, -1. Drawing No.: D33-03630
 2. Tolerance of dimension "D": j6, for frame 80M ~ 112M; k6, for frame 132S ~ 180M; m6, for frame 180L ~ 315LL.
 3. 2 pole motors are used for direct coupled service only. Customer must specify pulley details while belt driving required for Fr.225S and larger.
 ※ All data subject to change without prior notice.